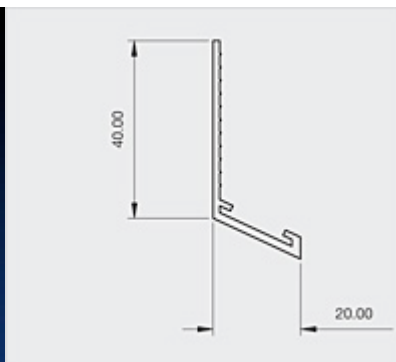


Bellcast Beads: B20

Renderplas 



Locally manufactured from recycled plastic, Renderplas PVCu bellcast beads / drip beads are designed for function and speed on all external rendering applications. Discreet but strong, all beading gives a perfect finish to through colour render and is equally suitable for sand and cement

Performance: design data

Affiliations	Federation of Plasterers and Drywall Contractors	Fire	Class 1Y. Combustible within fire source, self extinguishing upon removal of flame, will not contribute to the combustion of the system
Applications	All standard rendering applications, external wall insulation, timber frame and other weather board systems to provide a drip for rain water at the damp proof course and above windows and doors to prevent return of the water onto the surface below	Health and Safety	PVCu beads are safe to handle removing the dangers of cut metal; suitable for prisons and schools
Chemical	Zero chemical reaction with water, sand and cement, acrylic render, water based paint; avoid organic solvents, chlorate bleach, strong acids and alkalis	Heat	Ideal for all habitable climates; eliminates cold bridging
Durability	Impact resistant; dissipates shock waves; outlasts metal; cleaned or painted in same way as render	Guarantees	Fit for purpose for the lifetime of the render and at least 25 years
Economics	PVCu beads are a fraction of the price of stainless steel; added value over galvanized steel as PVCu beads are guaranteed not to stain or corrode. Reduction of impact damage	Mechanics	115 degree angle prevents return of water onto the substrate below. Will curve through a 4.0m radius
Environment	Locally manufactured; high recycled content; fully recyclable; low Ecopoint score of 0.004/kg delivered	Pollution	Ecologically benign; non-hazardous in water; non-hazardous if ingested; does not release substances into the atmosphere
		Strength	PVCu beads offer sufficient strength for these applications
		Weather	Not affected by weather and should be specified in all regions of high moisture or high salt

Specification: standard data

Type	B20	Weight (kg/100m)	18.5
Authority	BBA certified; manufactured to ISO 9001:2000; complies with BS EN 13914-1&2:2005 and BS EN 13658-2:2005; fire tested to BS 476; complies with REACH	Stock Colours	White, Brick, Dove, Ivory, Maize, Peach, Salmon, Sky, Slate, Terracotta, Wheat, Willow
Brand Names	Renderplas	Length	2.5m
Description	20mm PVCu Bellcast Beads (Drip Beads)	Packaging	25 lengths in fibreboard tubes
Composition	Exterior grade impact resistant UV stable unplasticised PVCu	Format	Cut lengths
Dimensions (mm)	3.8mm arris and 40mm wing	Price (£/100m)	119.20
Depth (mm)	10-20mm render depth	Recycled Content %	100% for white; 78.2% for colours
		Light	UV stable; any discoloration is uniform over a single facade and within industry standards

Site works

Installation	Standard industry practice and tools can be used. Large irregularities in the substrate should be dubbed out and allowed to set hard prior to application. Cut to length with tin snips or fine tooth saw. Fixing with a continuous line of adhesive mortar is preferred on blockwork, or alternatively a bed of render. Non-corrosive mechanical fixings can be used as well but are not required. With external wall insulation, non-corrosive fixings alone are sufficient.	Storage	Store vertically out of direct sunlight or extreme temperatures. Can be stored flat if supported along entire length
		Supply	Ex-stock next day delivery to site through extensive supply chain or direct from www.renderplas.co.uk